

7120 Series (Female B Type)

FEATURE :

Insulator Material : PBT UL94V-0 Color : Gray
 Contact Material : Brass
 Board-Lock (Optional) : Brass, 100μ" Tin Plating Min.
 Plating : Selective Gold Plating On Contact Area
 100μ" Tin Plating On Solder Area
 50μ" Nickel Min. Underplating

SPECIFICATION :

Current Rating : 20°C 2A, 70°C 1A, 100°C 0.5A
 Contact Resistance : 30 Milliohms Max. at DC 100mA
 Operation Temperature : -55°C to +125°C
 Dielectric Voltage : AC 1000V For 1 Minute
 Insulation Resistance : 1000 Megohms Min. At DC500V
 Operating Voltage : 250VAC

ORDERING INFORMATION :

7120 - □□ - T - □ - □ - □ - □

Board-Lock
 N : No Board-Lock
 L : With Board-Lock

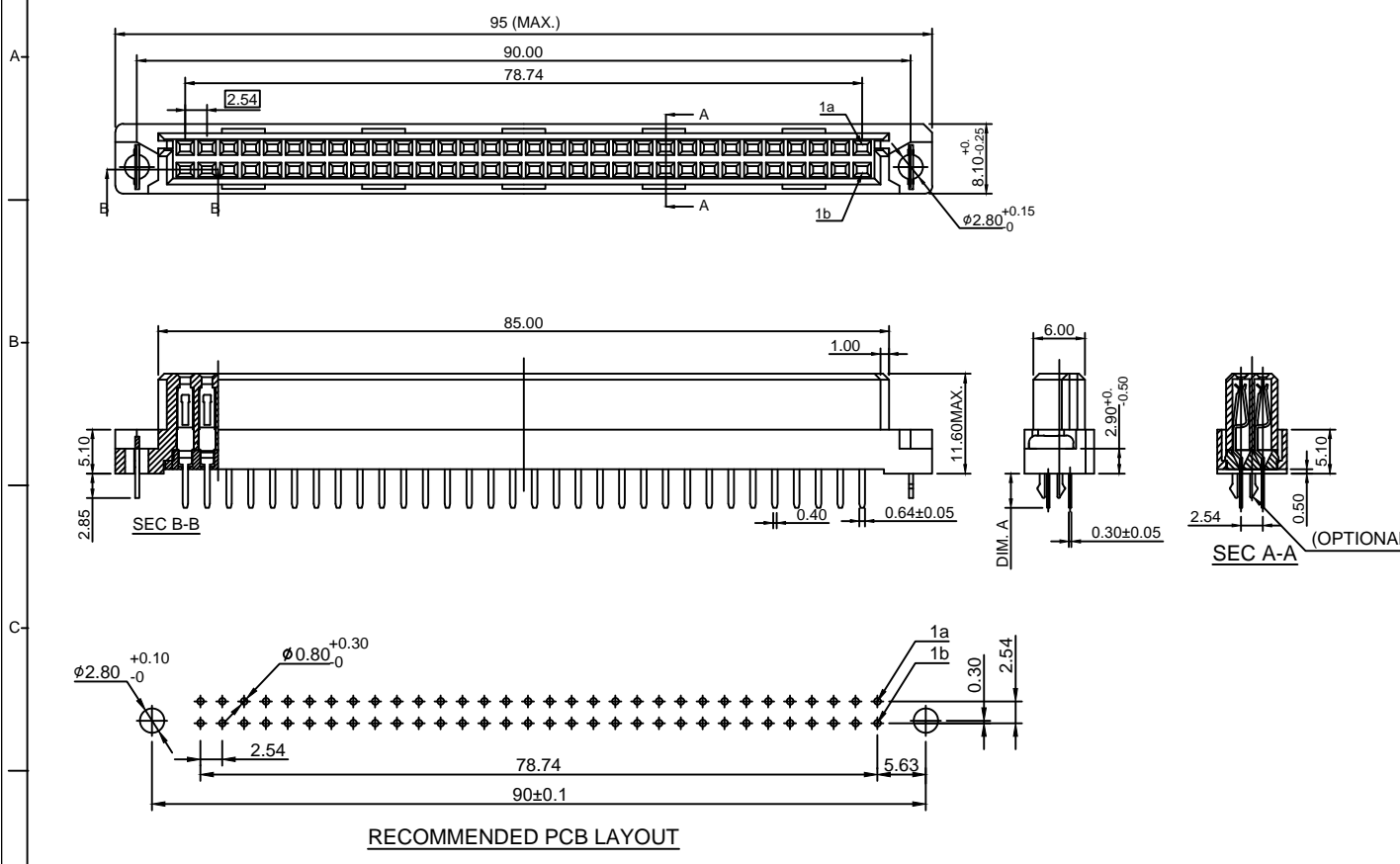
Tail Length
 1 : 4.00 mm
 2 : 2.50 mm

Plating
 2 : G/F Plating On Contact Area
 8 : 15μ" Gold Plating On Contact Area
 6 : 30μ" Gold Plating On Contact Area

Row / Positions With Contact Type
 (See Chart A)

T : Straight Solder Type

No. of Contacts



RECOMMENDED PCB LAYOUT

Chart A

Code	No. of Contact	Rows / Positions With Contact	Pitch
A	64	Row a + b 	2.54 mm
B	32	Row a 	2.54 mm
C	32	Row a + b All Even No. 	5.08 mm
D	16	Row a All Even No. 	Half - Loaded

Title : Customer Drawing		Type : DIN 41612 Eurocard		彩電企業股份有限公司 CHARTRON INCORPORATION			
Part No. : 7120 Series B Type							
Description : 7120 Series Female B Type				Tolerances Unless Otherwise Specified :			
X. ± 0.50		.X ± 0.38		.XX ± 0.25			
X. ° ±		.X ° ±		.XX ° ±			
DWG No. : 010 - 0003 - 712		Date : 01 - Feb. - 2018		Dim.		Scale	
APPD. : James C.		CHK. : Connie Z.		DRW. : Bryant C.		Sheet	
						Rev.	
						1 of 1	
						D	